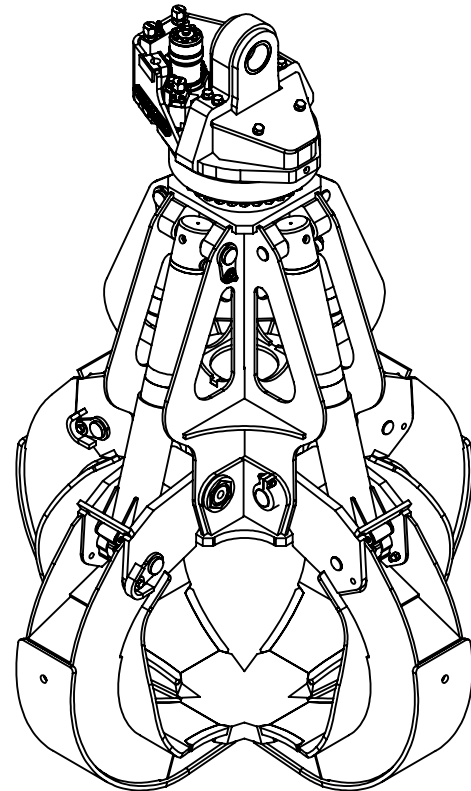
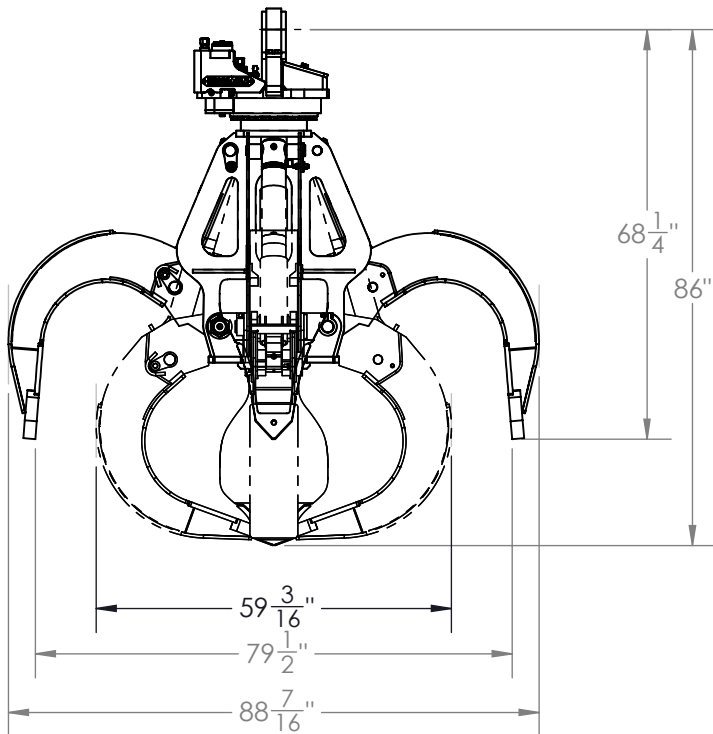


3/4 YD GRAPPLE

| | | |
|-------------------------|---------------------|---------------------|
| Open | 79.50 " | 2019.3mm |
| Capacity | 3/4 yd ³ | 0.57 m ³ |
| Cylinder bore | 3 " | 76mm |
| Lock valve on cylinders | Excluded | |
| Cylinder max. pressure | 5000 psi | 345 bar |
| Weight (with rotation) | 3000 lb | 1361 kg |

150/160 SERIES DANGLING ROTATOR

| | | |
|-------------------------|--------------|-------------|
| Rotation | Unlimited | |
| Max axial load | 112 000 lbs | 50 900 kg |
| Rotation max. pressure | 1 450 psi | 100 bar |
| Torque at max. pressure | 21 900 lb-in | 2 474 Nm |
| Rotator flow | 8-10 gpm | 30-40 l/min |
| Rotation speed | 15 rpm | |
| Weight | 885 lb | 400 kg |



BATEMAN MANUFACTURING
 5 WINSTAR ROAD
 ORO-MEDONTE, ONTARIO
 L0L 2L0, CANADA

WWW.BATEMANMANUFACTURING.COM
 MAIL@BATEMANMANUFACTURING.COM
 PHONE: (705) 487-5020
 FAX: (705) 487-5290

