



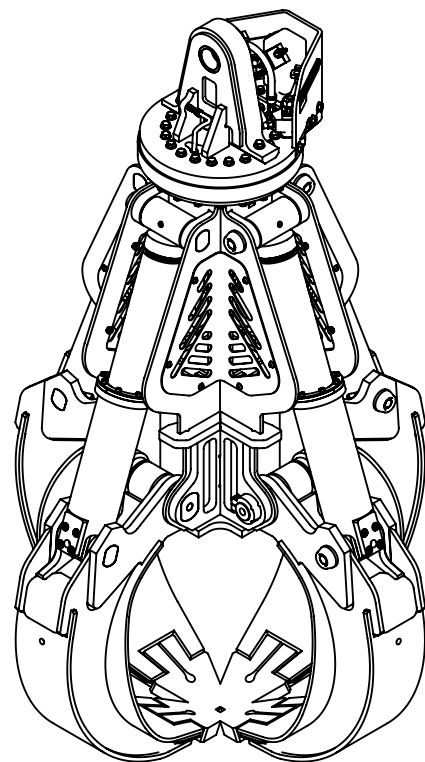
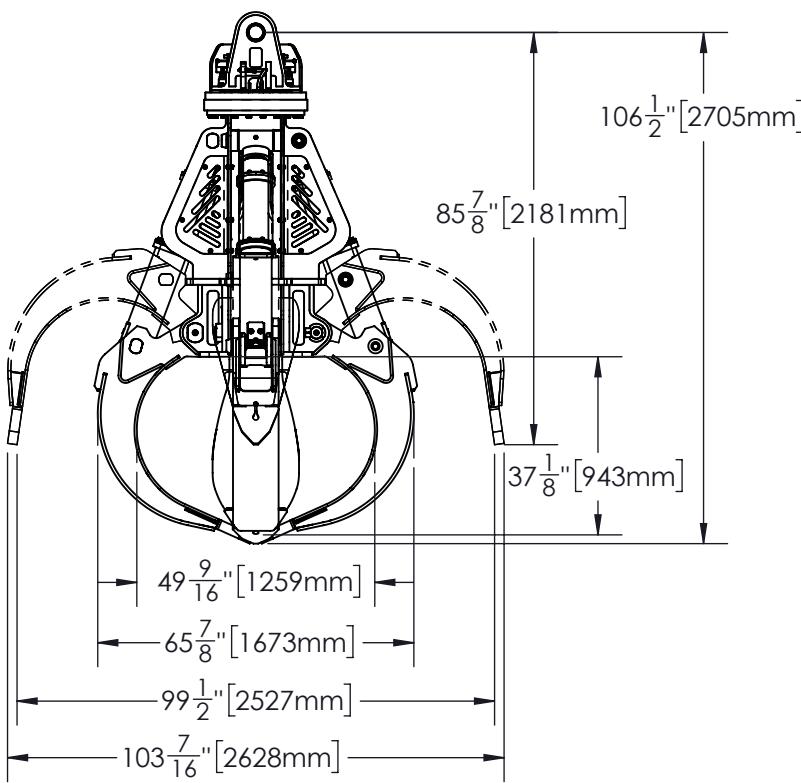
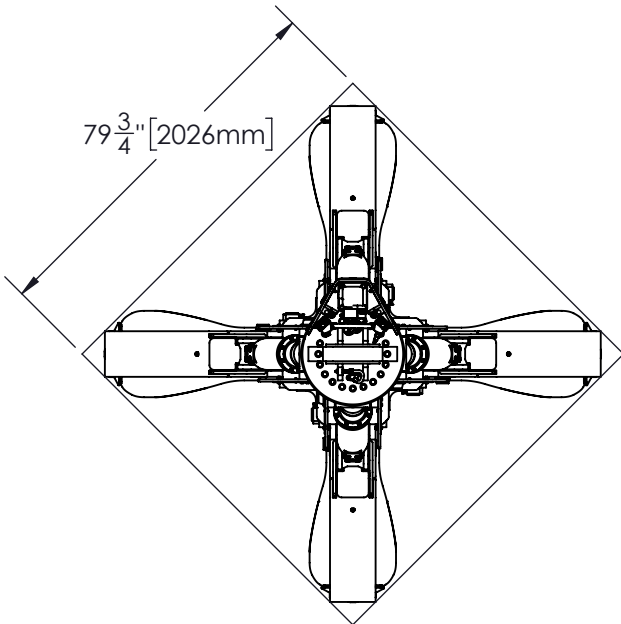
TECHNICAL SPECIFICATIONS

MODEL: B4T210-125SC

210S, 4 TINE, 1 1/4 YD<sup>3</sup>, GRAPPLE, BN25004

1 1/4 YD<sup>3</sup> 4 TINE 210 SERIES GRAPPLE

Open	100 "	2527.3mm
Capacity	1.25 yd <sup>3</sup>	0.95 m <sup>3</sup>
Cylinder Bore	3.5 "	89mm
Cylinder Max. Pressure	5000 psi	345 bar
Rotator Max. Pressure	1450 psi	100 bar
Flow (Rotate Circuit)	10 gpm	38 Lpm
Flow (Open/Close Circuit)	50 gpm	189 Lpm
Weight (with rotator)	4830 lb	2191 kg



5 Winstar Road  
Oro-Medonte, ON L0L 2L0, Canada

info@batemanmanufacturing.com  
batemanmanufacturing.com

705-487-5020



WE RESERVE THE RIGHT TO CHANGE SPECIFICATIONS AND TO IMPROVE OUR PRODUCTS WITHOUT NOTICE OR OBLIGATION  
ALL SCRAP AND MATERIAL HANDLING GRAPPLES DESIGNED IN ACCORDANCE WITH ASME BTH-1 DESIGN AND STRENGTH REQUIREMENTS

2024-03-01