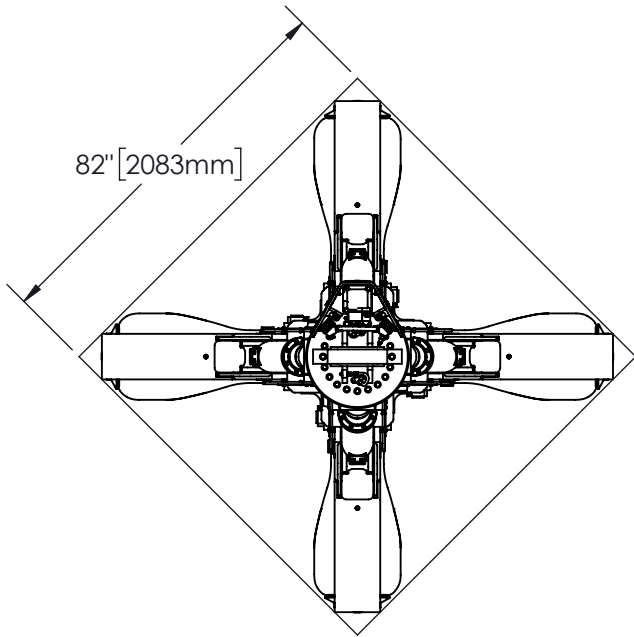




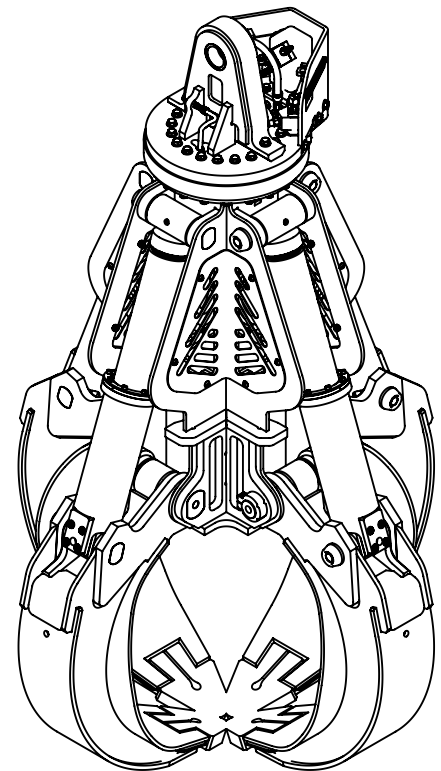
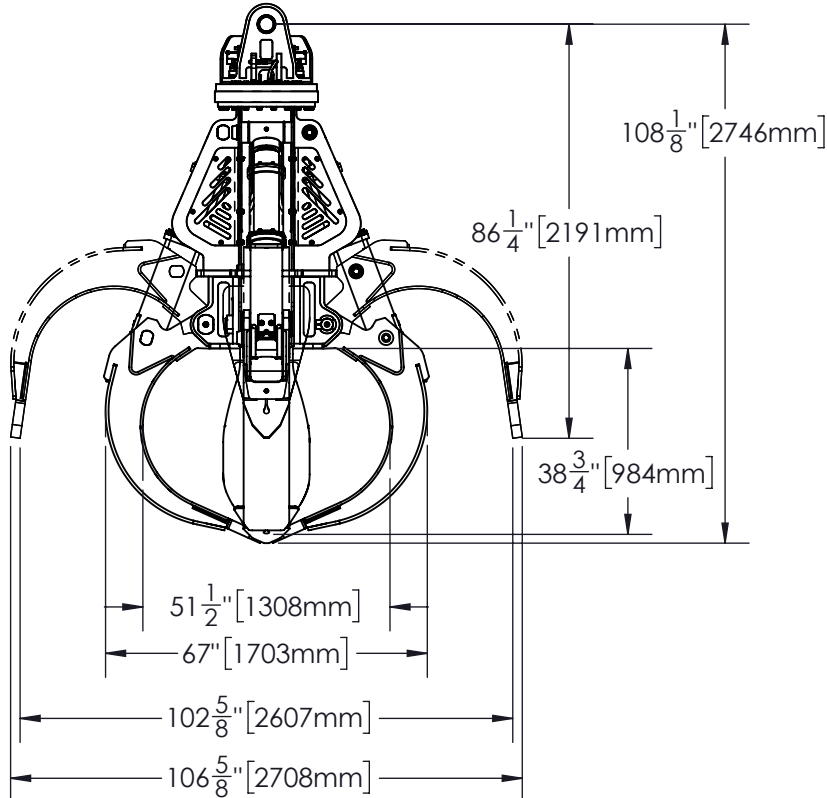
TECHNICAL SPECIFICATIONS

MODEL: B4T210-150SC

210S, 4 TINE, 1 1/2 YD<sup>3</sup>, GRAPPLE, BN24700



1 1/2 YD <sup>3</sup> 4 TINE 210 SERIES GRAPPLE		
Open	103 "	2606.7mm
Capacity	1.50 yd <sup>3</sup>	1.15 m <sup>3</sup>
Cylinder Bore	3.5 "	89mm
Cylinder Max. Pressure	5000 psi	345 bar
Rotator Max. Pressure	1450 psi	100 bar
Flow (Rotate Circuit)	10 gpm	38 Lpm
Flow (Open/Close Circuit)	50 gpm	189 Lpm
Weight (with rotator)	4900 lb	2223 kg



5 Winstar Road  
Oro-Medonte, ON L0L 2L0, Canada

info@batemanmanufacturing.com  
batemanmanufacturing.com

705-487-5020

