



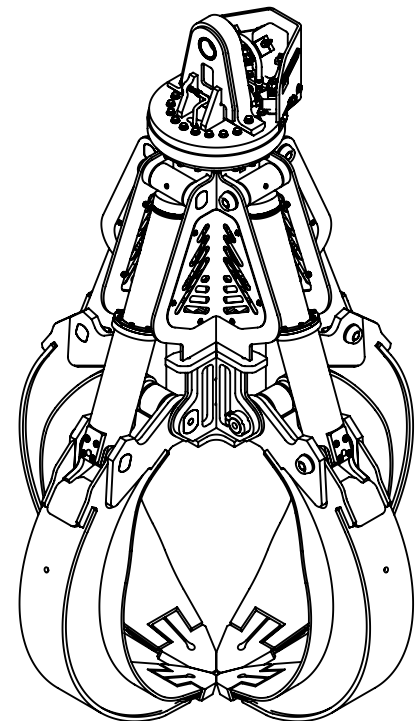
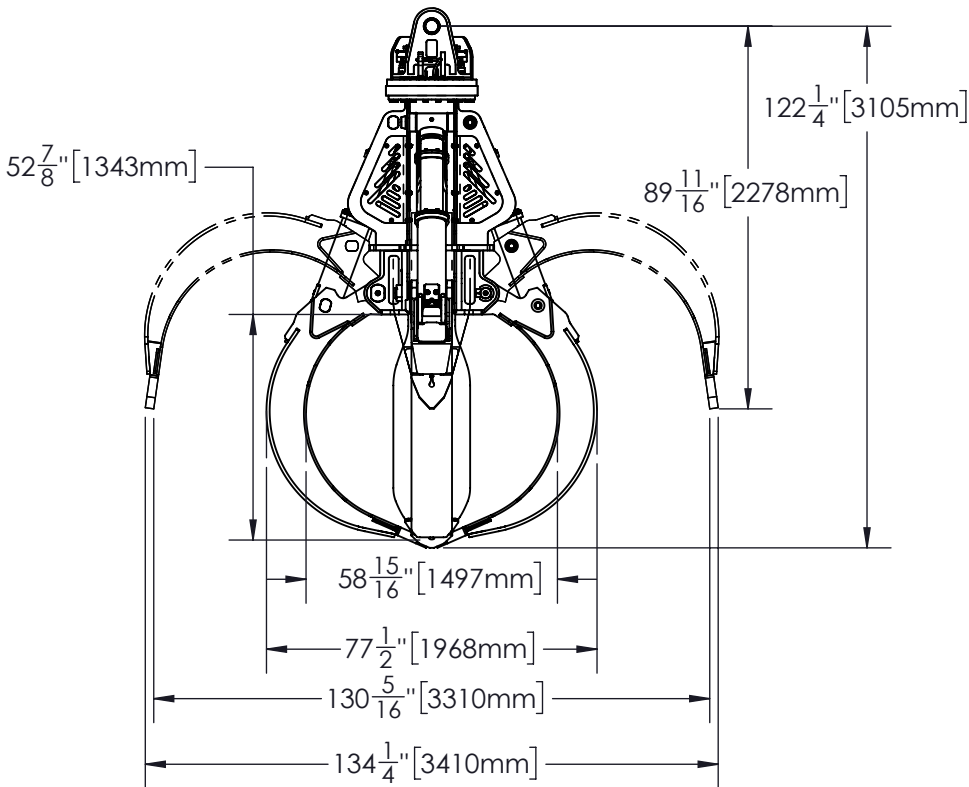
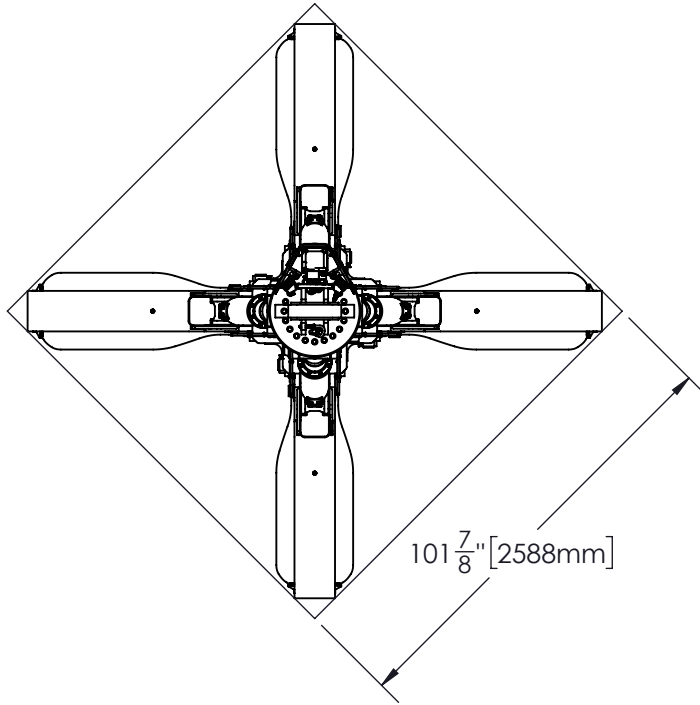
TECHNICAL SPECIFICATIONS

MODEL: B4T210-250SC

210S, 4 TINE, 2 1/2 YD³, GRAPPLE, BN25006

2 1/2 YD³ 4 TINE 210 SERIES GRAPPLE

Open	130 "	3309.9mm
Capacity	2.50 yd ³	1.90 m ³
Cylinder Bore	3.5 "	89mm
Cylinder Max. Pressure	5000 psi	345 bar
Rotator Max. Pressure	1450 psi	100 bar
Flow (Rotate Circuit)	10 gpm	38 Lpm
Flow (Open/Close Circuit)	50 gpm	189 Lpm
Weight (with rotator)	5500 lb	2495 kg



5 Winstar Road
Oro-Medonte, ON L0L 2L0, Canada

info@batemanmanufacturing.com
batemanmanufacturing.com

705-487-5020

