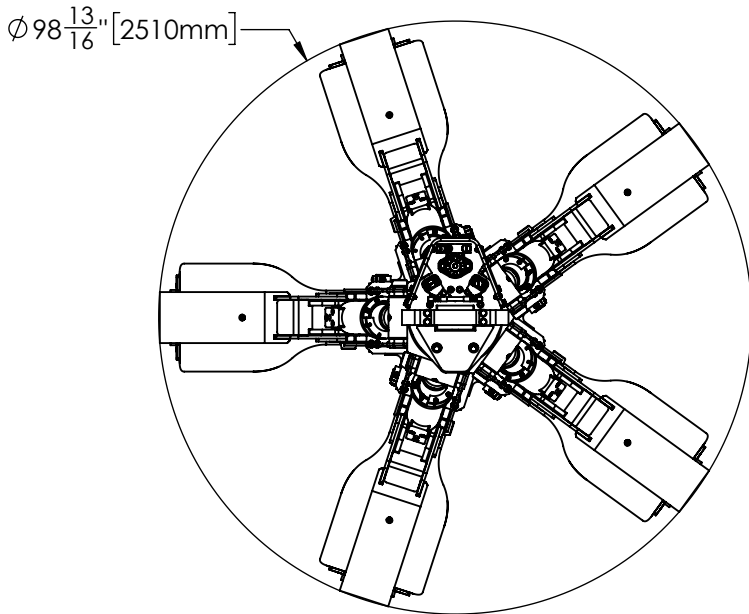


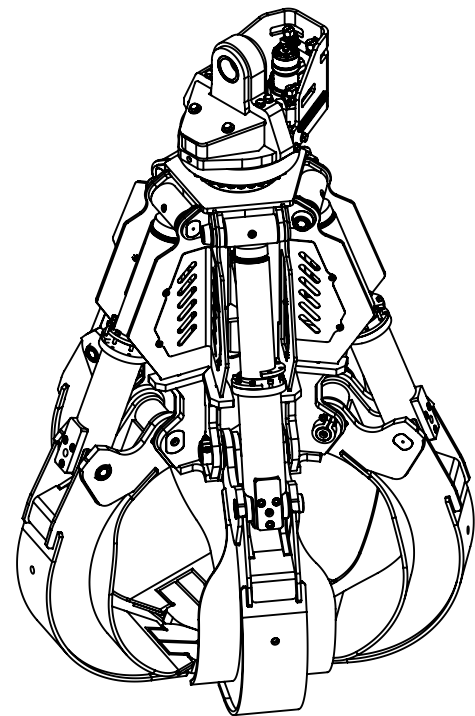
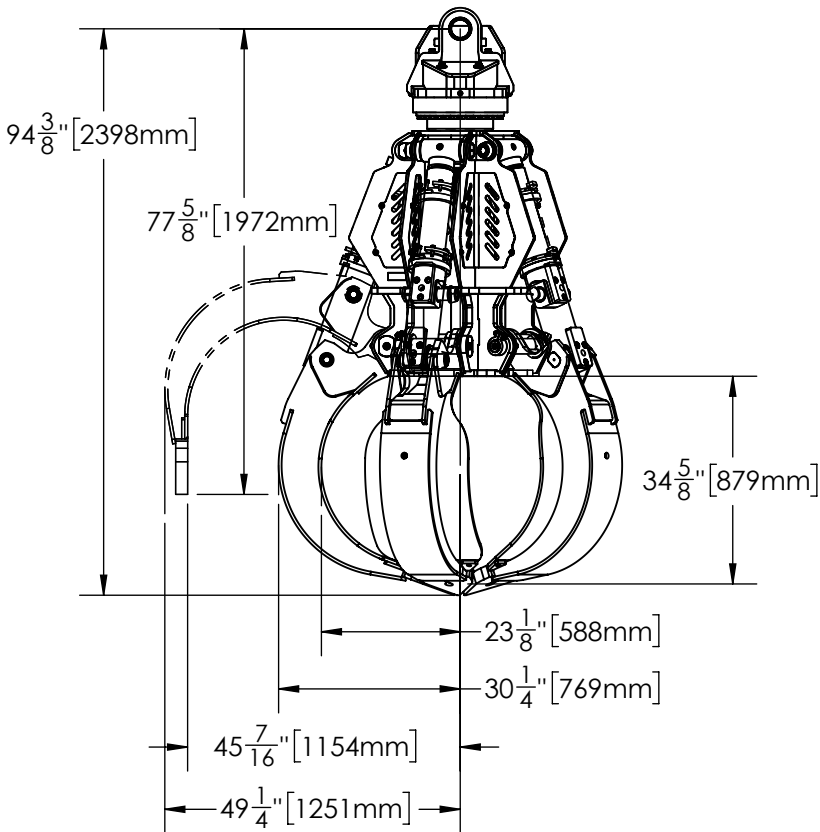


TECHNICAL SPECIFICATIONS
MODEL: B5T16-100SC

160S, 5 TINE, 1 YD³, GRAPPLE, BN24138



1 YD ³ 5 TINE 160 SERIES GRAPPLE		
Open	91"	2308.2mm
Capacity	1.00 yd ³	0.75 m ³
Cylinder Bore	3"	76mm
Cylinder Max. Pressure	5000 psi	345 bar
Rotator Max. Pressure	2540 psi	175 bar
Flow (Rotate Circuit)	10 gpm	38 Lpm
Grapple Rotation, At 10 gpm	29 rpm	
Flow (Open/Close Circuit)	50 gpm	189 Lpm
Cycle Time Theoretical (Open/Close Circuit)	1.5 sec/2 sec	
Weight (with rotator)	4010 lb	1819 kg



5 Winstar Road
 Oro-Medonte, ON L0L 2L0, Canada

info@batemanmanufacturing.com
 batemanmanufacturing.com

705-487-5020

