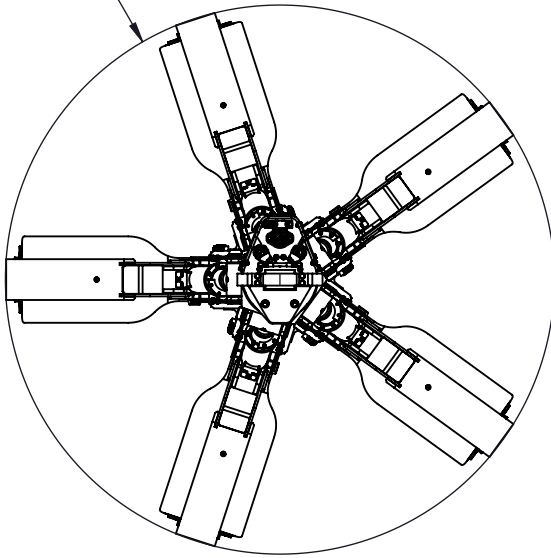




TECHNICAL SPECIFICATIONS
MODEL: B5T16-150SC

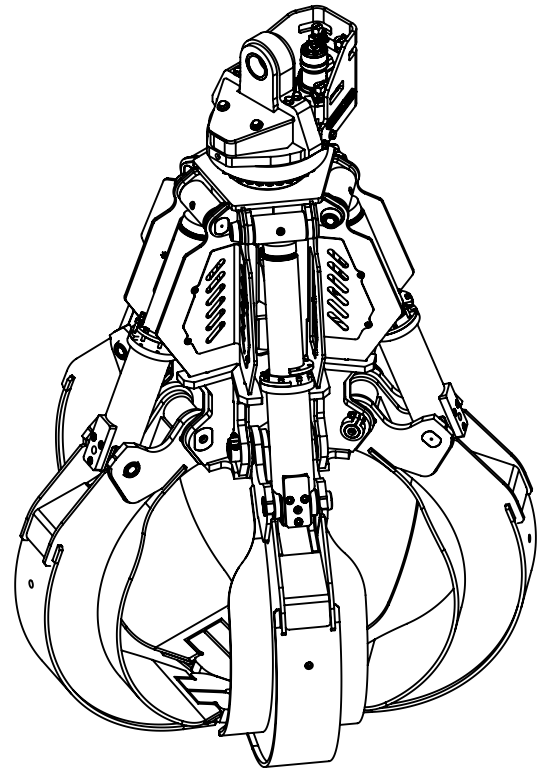
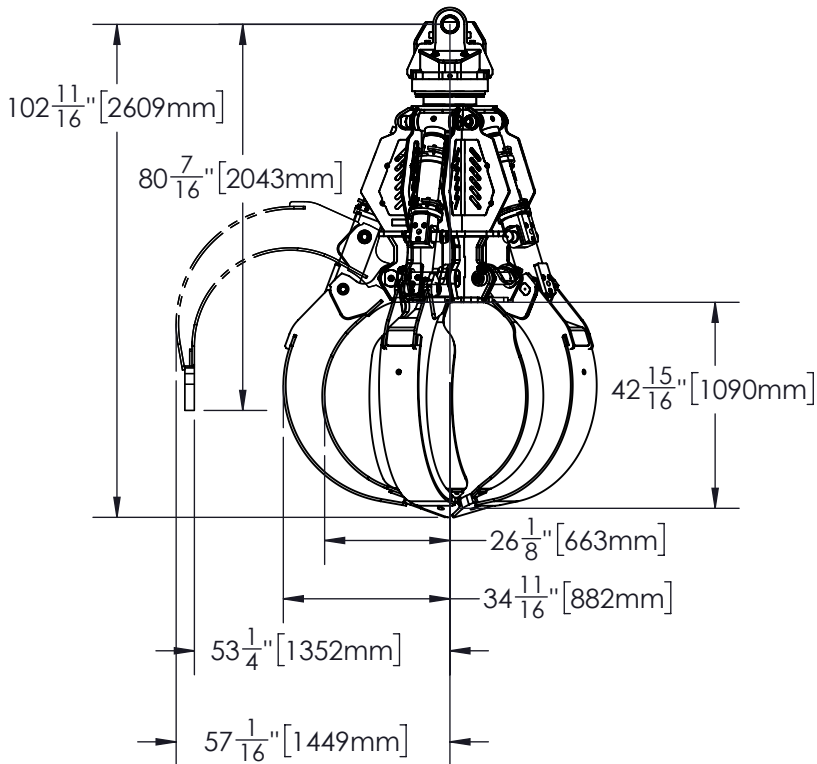
160S, 5 TINE, 1 1/2 YD³, GRAPPLE, BN24364

$\phi 114 \frac{3}{8}$ " [2905mm]



1 1/2 YD³ 5 TINE 160 SERIES GRAPPLE

| | | |
|---|----------------------|---------------------|
| Open | 107 " | 2705.1mm |
| Capacity | 1.50 yd ³ | 1.15 m ³ |
| Cylinder Bore | 3 " | 76mm |
| Cylinder Max. Pressure | 5000 psi | 345 bar |
| Rotator Max. Pressure | 2540 psi | 175 bar |
| Flow (Rotate Circuit) | 10 gpm | 38 Lpm |
| Grapple Rotation, At 10 gpm | 29 rpm | |
| Flow (Open/Close Circuit) | 50 gpm | 189 Lpm |
| Cycle Time Theoretical (Open/Close Circuit) | 1.5 sec/2 sec | |
| Weight (with rotator) | 4420 lb | 2005 kg |



5 Winstar Road
 Oro-Medonte, ON L0L 2L0, Canada

info@batemanmanufacturing.com
 batemanmanufacturing.com

705-487-5020

