



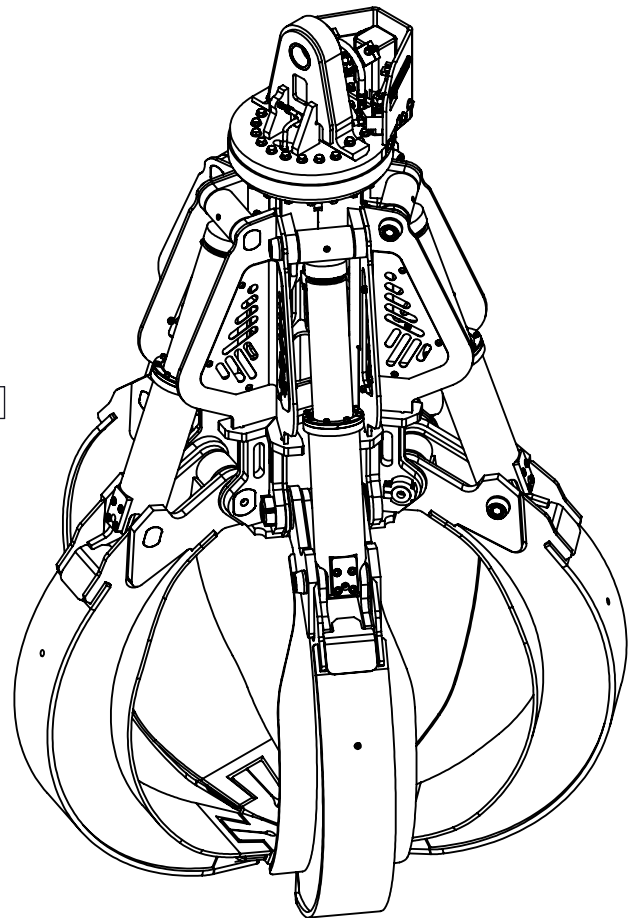
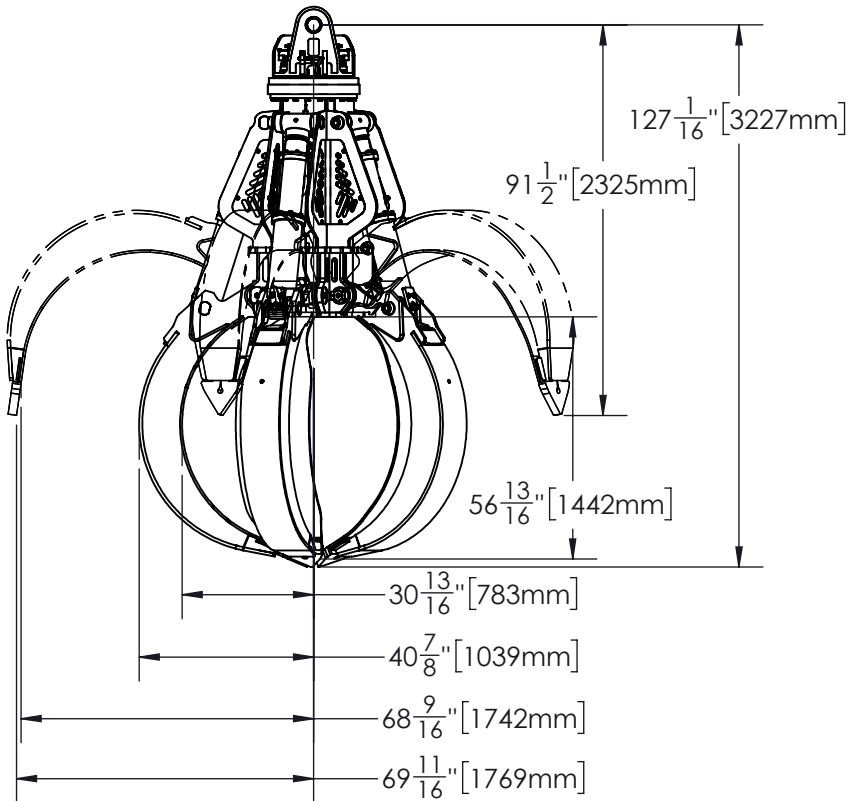
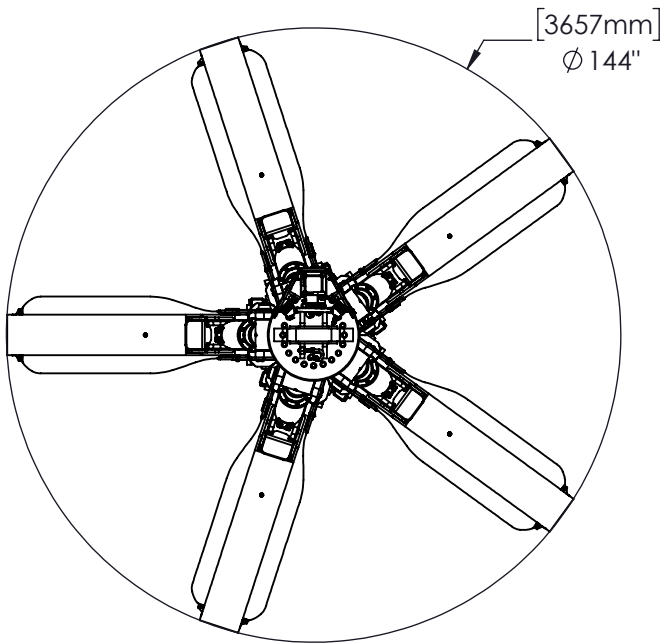
TECHNICAL SPECIFICATIONS

MODEL: B5T210-300SC

210S, 5 TINE, 3 YD³, GRAPPLE, BN25144

3 YD³ 5 TINE 210 SERIES GRAPPLE

Open	139 "	3540.1mm
Capacity	3.00 yd ³	2.30 m ³
Cylinder Bore	3.5 "	89mm
Cylinder Max. Pressure	5000 psi	345 bar
Rotator Max. Pressure	1450 psi	100 bar
Flow (Rotate Circuit)	10 gpm	38 Lpm
Flow (Open/Close Circuit)	50 gpm	189 Lpm
Weight (with rotator)	6845 lb	3105 kg



5 Winstar Road
Oro-Medonte, ON L0L 2L0, Canada

info@batemanmanufacturing.com
batemanmanufacturing.com

705-487-5020

