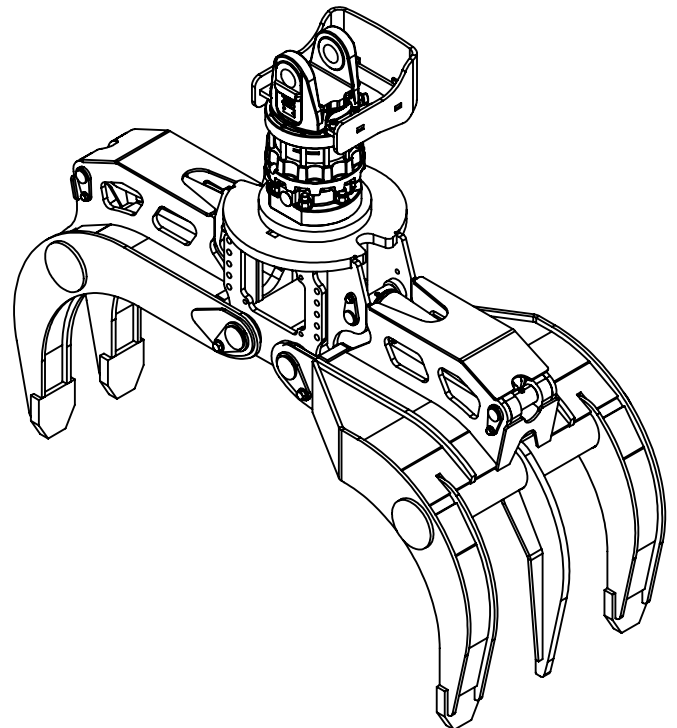
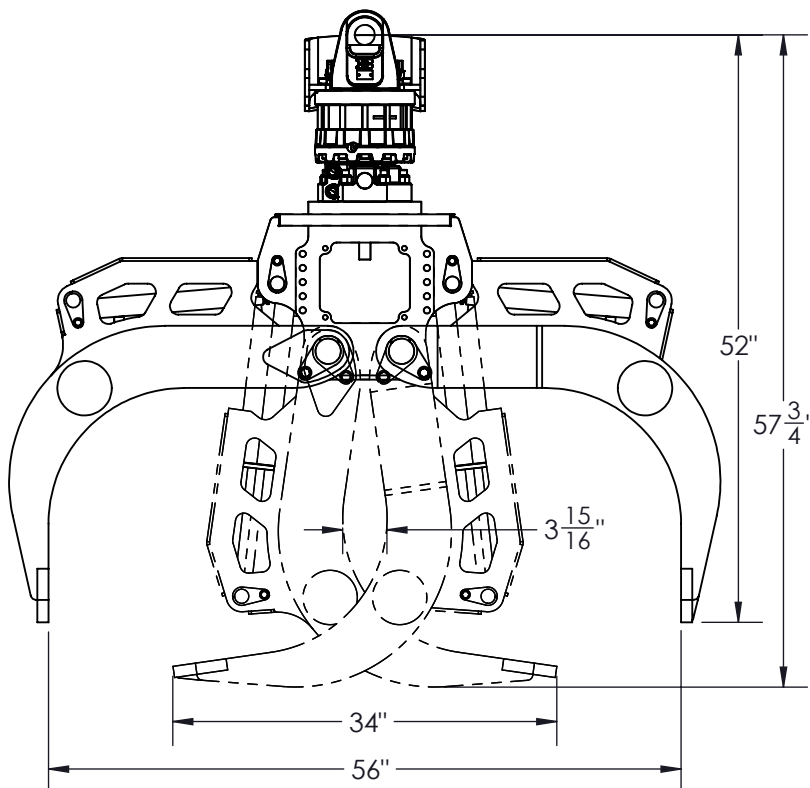
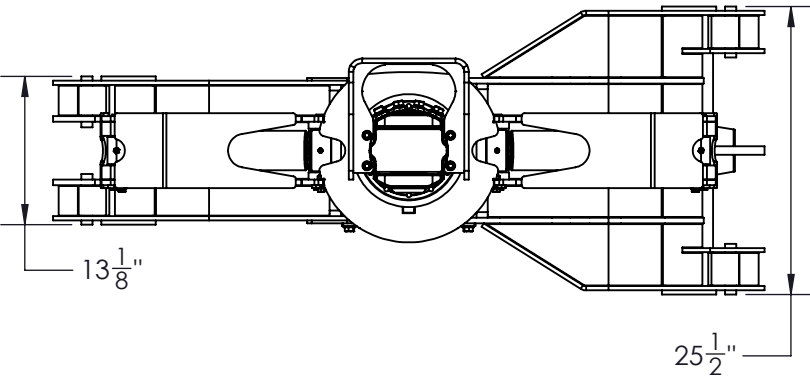


100 SERIES 3/2 WOODRAKE GRAPPLE

Open	56"	1422 mm
Area tip to tip	3.3 ft ²	0.31 m ²
Cylinder Bore	3"	76 mm
Lock valve on Cylinder	Excluded	
Cylinder Max. Pressure	3000 psi	207 bar
Weight (grapple only)	750 lb	340 kg

070 SERIES DANGLING ROTATOR

Rotation	Unlimited	
Lifting capacity	18000 lb	8165 kg
Max pressure	3625 psi	25.0 MPa
Torque at max. pressure	30100 lb-in	40810.2 Nm
Rotator flow	10 gpm	38 L/min
Rotation speed	30 rpm	
Weight	130 lb	59 kg



BATEMAN MANUFACTURING
5 WINSTAR ROAD
ORO-MEDONTE, ONTARIO
L0L 2L0, CANADA

WWW.BATEMANMANUFACTURING.COM
MAIL@BATEMANMANUFACTURING.COM
PHONE: (705) 487-5020
FAX: (705) 487-5290