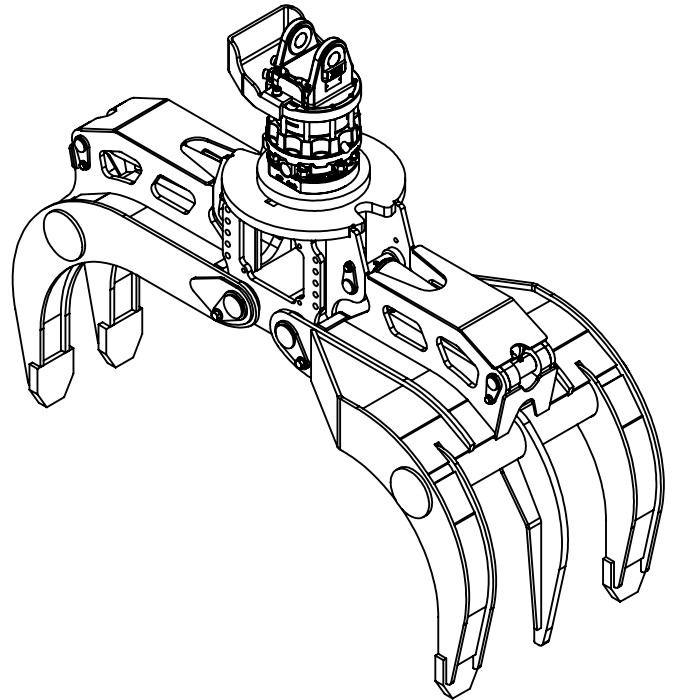
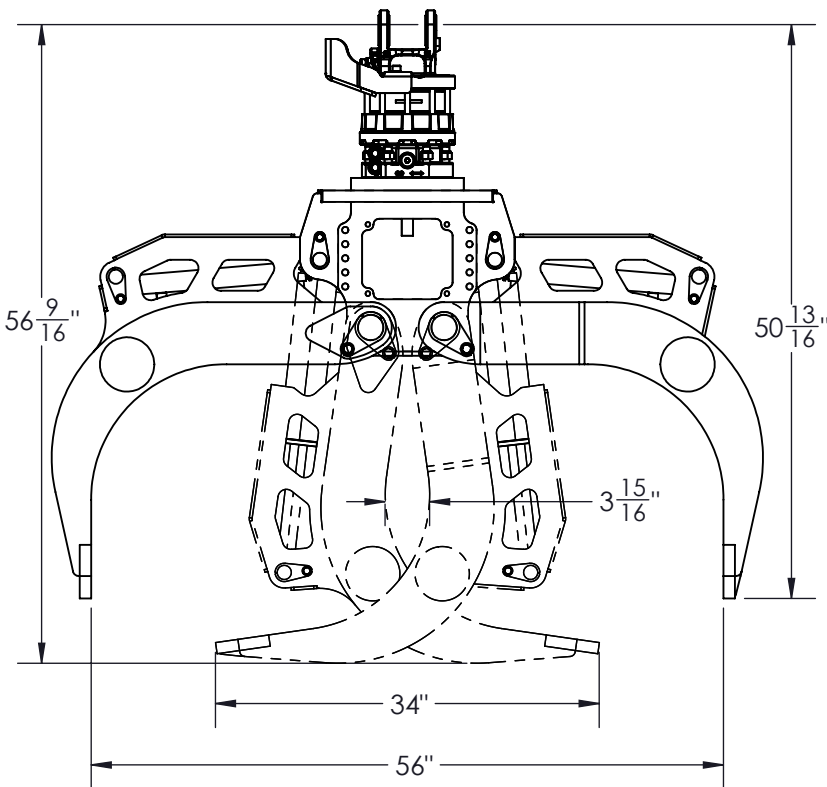


100 SERIES 3/2 WOODRAKE GRAPPLE

Open	56"	1422 mm
Area tip to tip	3.3 ft ²	0.31 m ²
Cylinder Bore	3"	76 mm
Lock valve on Cylinder	Excluded	
Cylinder Max. Pressure	3000 psi	207 bar
Weight (grapple only)	810 lb	367 kg

050 SERIES DANGLING ROTATOR

Rotation	Unlimited	
Lifting capacity	11250 lb	5103 kg
Max pressure	3625 psi	25.0 MPa
Torque at max. pressure	22125 lb-in	29997.5 Nm
Rotator flow	7 gpm	26 L/min
Rotation speed	30 rpm	
Weight	130 lb	59 kg



BATEMAN MANUFACTURING
5 WINSTAR ROAD
ORO-MEDONTE, ONTARIO
L0L 2L0, CANADA

WWW.BATEMANMANUFACTURING.COM
MAIL@BATEMANMANUFACTURING.COM
PHONE: (705) 487-5020
FAX: (705) 487-5290

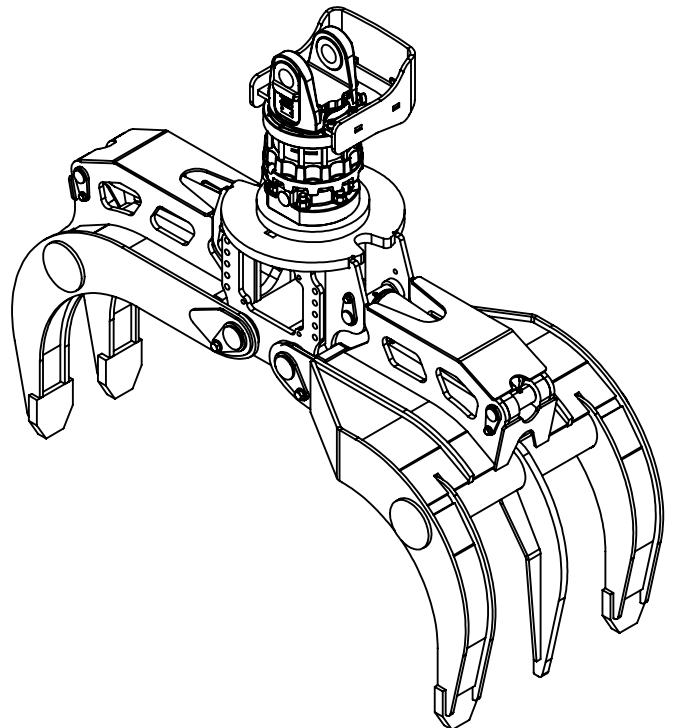
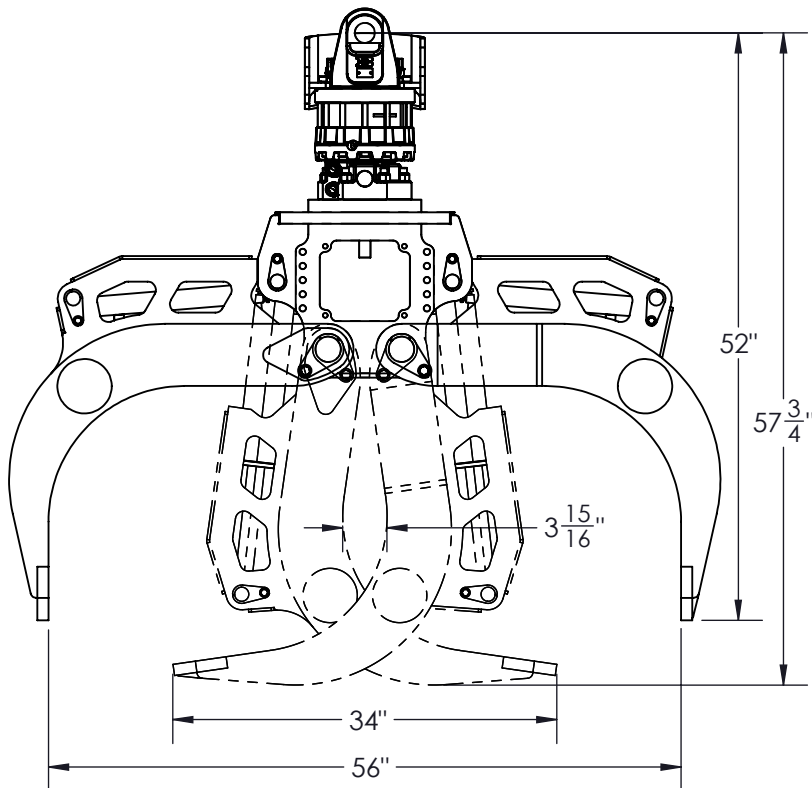
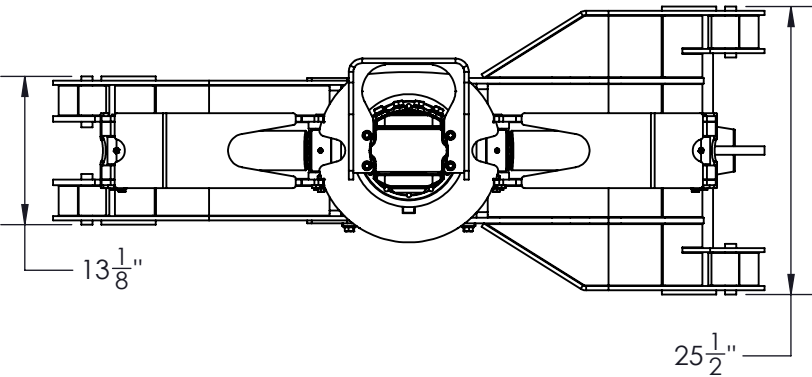


100 SERIES 3/2 WOODRAKE GRAPPLE

Open	56"	1422 mm
Area tip to tip	3.3 ft ²	0.31 m ²
Cylinder Bore	3"	76 mm
Lock valve on Cylinder	Excluded	
Cylinder Max. Pressure	3000 psi	207 bar
Weight (grapple only)	810 lb	367 kg

070 SERIES DANGLING ROTATOR

Rotation	Unlimited	
Lifting capacity	18000 lb	8165 kg
Max pressure	3625 psi	25.0 MPa
Torque at max. pressure	30100 lb-in	40810.2 Nm
Rotator flow	10 gpm	38 L/min
Rotation speed	30 rpm	
Weight	130 lb	59 kg



BATEMAN MANUFACTURING
5 WINSTAR ROAD
ORO-MEDONTE, ONTARIO
L0L 2L0, CANADA

WWW.BATEMANMANUFACTURING.COM
MAIL@BATEMANMANUFACTURING.COM
PHONE: (705) 487-5020
FAX: (705) 487-5290

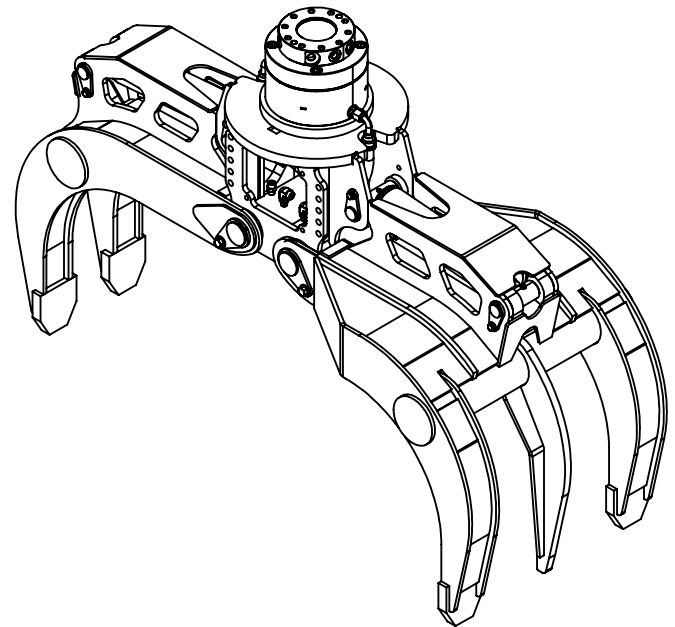
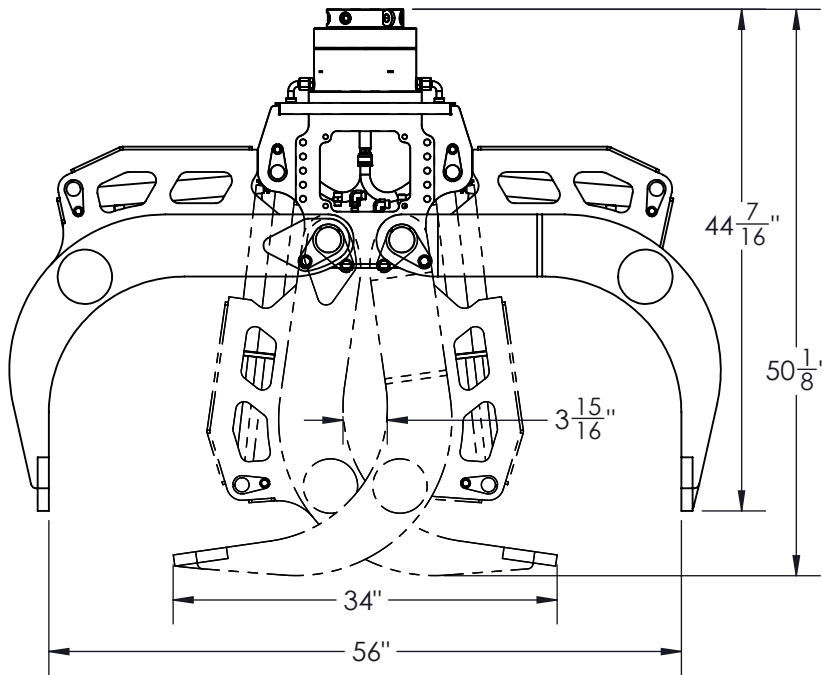
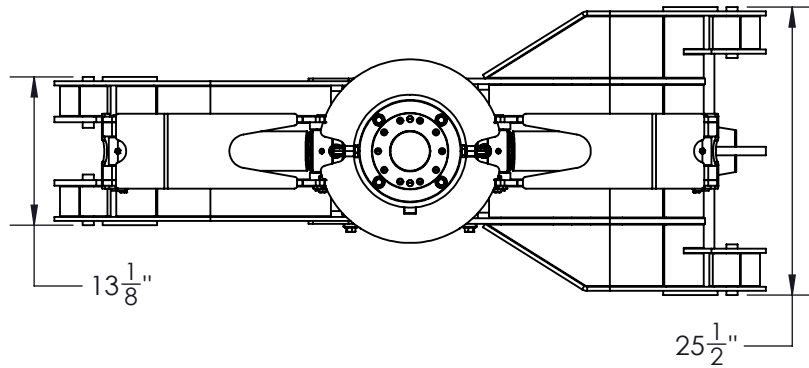


100 SERIES 3/2 WOODRAKE GRAPPLE

Open	56"	1422 mm
Area tip to tip	3.3 ft ²	0.31 m ²
Cylinder Bore	3"	76 mm
Lock valve on Cylinder	Excluded	
Cylinder Max. Pressure	3000 psi	207 bar
Weight (grapple only)	810 lb	367 kg

050 SERIES MANIPULATING ROTATOR

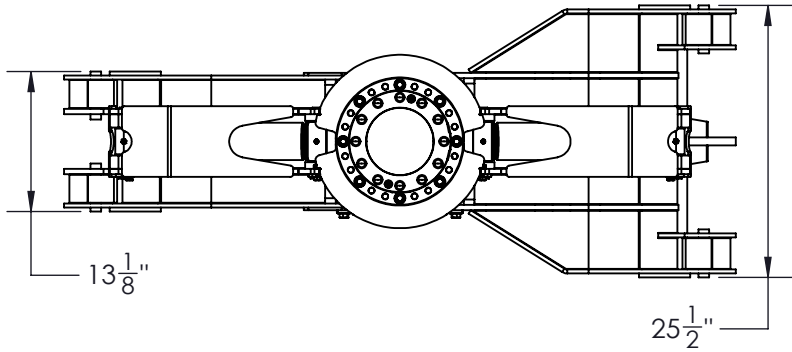
Rotation	Unlimited	
Lifting capacity	11240 lb	5098 kg
Max pressure	3625 psi	250 bar
Torque at max. pressure	11950 lb-in	1350.2 Nm
Rotator flow	4 gpm	15 L/min
Rotation speed	30 rpm	
Weight	101 lb	46 kg



BATEMAN MANUFACTURING
5 WINSTAR ROAD
ORO-MEDONTE, ONTARIO
L0L 2L0, CANADA

WWW.BATEMANMANUFACTURING.COM
MAIL@BATEMANMANUFACTURING.COM
PHONE: (705) 487-5020
FAX: (705) 487-5290



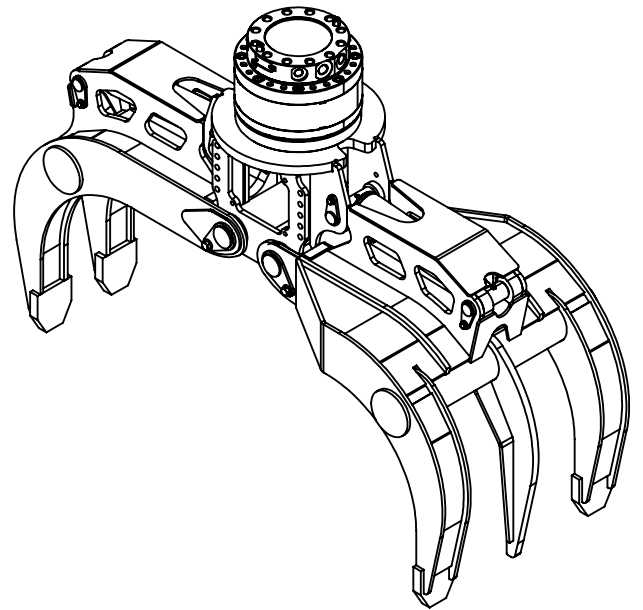
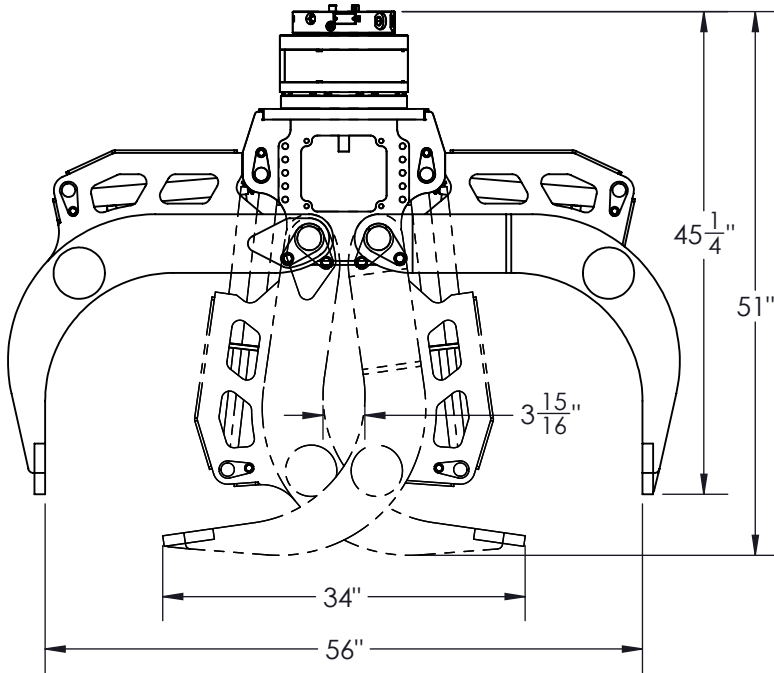


100 SERIES 3/2 WOODRAKE GRAPPLE

Open	56"	1422 mm
Area tip to tip	3.3 ft ²	0.31 m ²
Cylinder Bore	3"	76 mm
Lock valve on Cylinder	Excluded	
Cylinder Max. Pressure	3000 psi	207 bar
Weight (grapple only)	810 lb	367 kg

075 SERIES MANIPULATING ROTATOR

Rotation	Unlimited	
Lifting capacity	20233 lb	9178 kg
Max pressure	3625 psi	250 bar
Torque at max. pressure	36000 lb-in	4067.5 Nm
Rotator flow	8 gpm	30 L/min
Rotation speed	30 rpm	
Weight	201 lb	91 kg



BATEMAN MANUFACTURING
5 WINSTAR ROAD
ORO-MEDONTE, ONTARIO
L0L 2L0, CANADA

WWW.BATEMANMANUFACTURING.COM
MAIL@BATEMANMANUFACTURING.COM
PHONE: (705) 487-5020
FAX: (705) 487-5290

