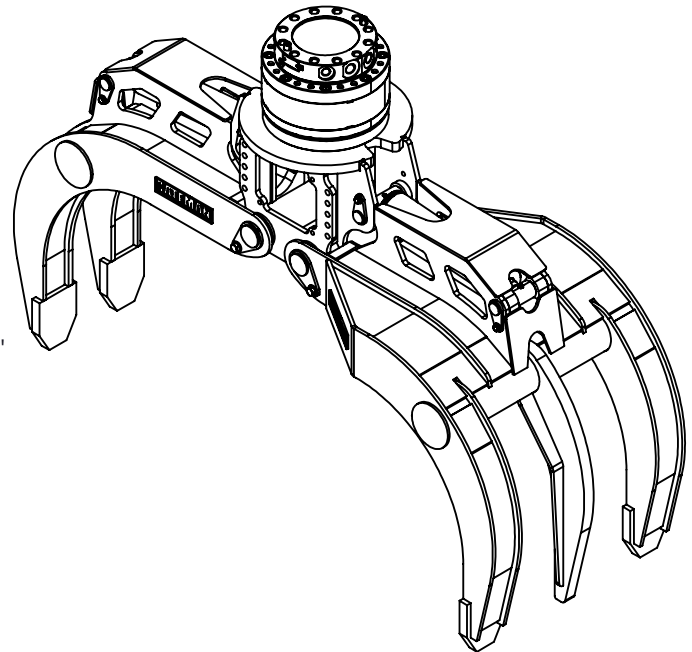
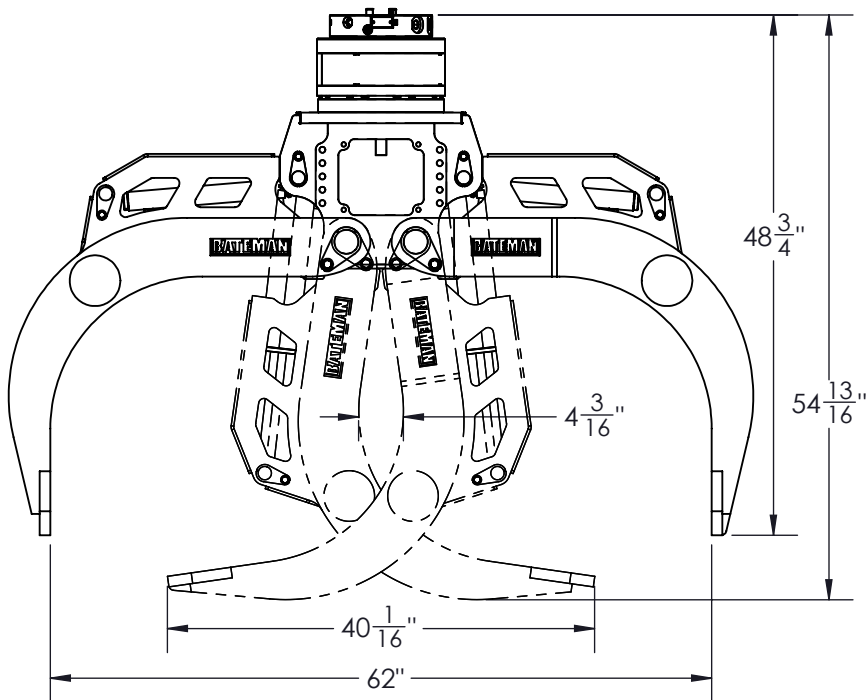


#### 100 SERIES 3/2 WOODRAKE GRAPPLE

Open	62"	1575 mm
Area tip to tip	4.1 ft <sup>2</sup>	0.38 m <sup>2</sup>
Cylinder Bore	3"	76 mm
Lock valve on Cylinder	Excluded	
Cylinder Max. Pressure	3000 psi	207 bar
Weight (grapple only)	830 lb	376 kg

#### 075 SERIES MANIPULATING ROTATOR

Rotation	Unlimited	
Lifting capacity	20233 lb	9178 kg
Max pressure	3625 psi	250 bar
Torque at max. pressure	36000 lb-in	4067.5 Nm
Rotator flow	8 gpm	30 L/min
Rotation speed	30 rpm	
Weight	201 lb	91 kg



BATEMAN MANUFACTURING  
5 WINSTAR ROAD  
ORO-MEDONTE, ONTARIO  
L0L 2L0, CANADA

WWW.BATEMANMANUFACTURING.COM  
MAIL@BATEMANMANUFACTURING.COM  
PHONE: (705) 487-5020  
FAX: (705) 487-5290

