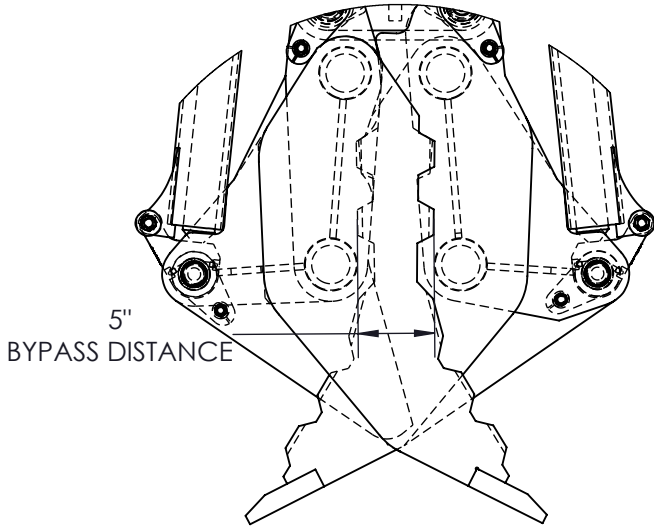




TECHNICAL SPECIFICATIONS

# MODEL: BWPG200-43-062, MR200

200S WOOD PULVERIZER, 43 JAWS, 62" OP. MR200, BN25527

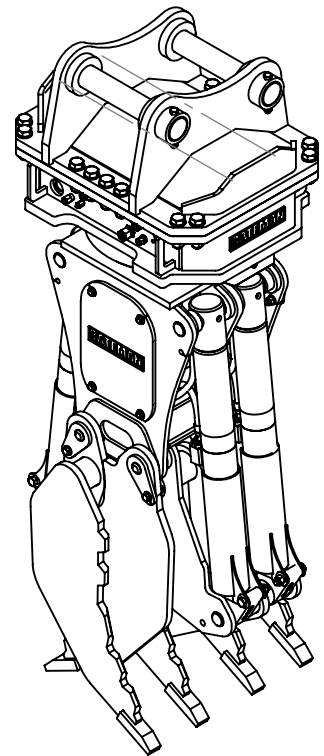
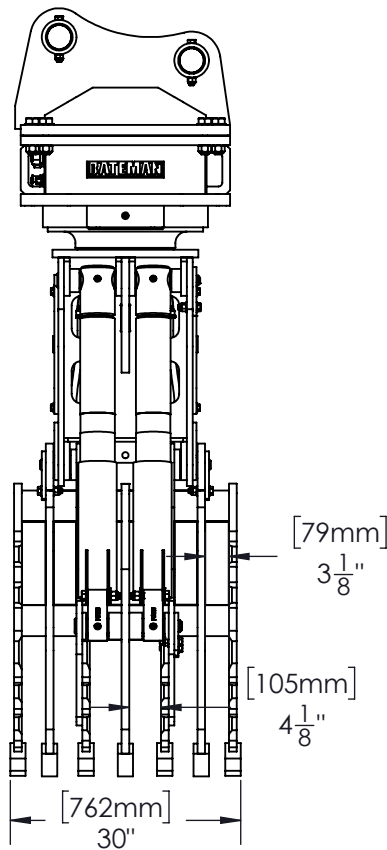
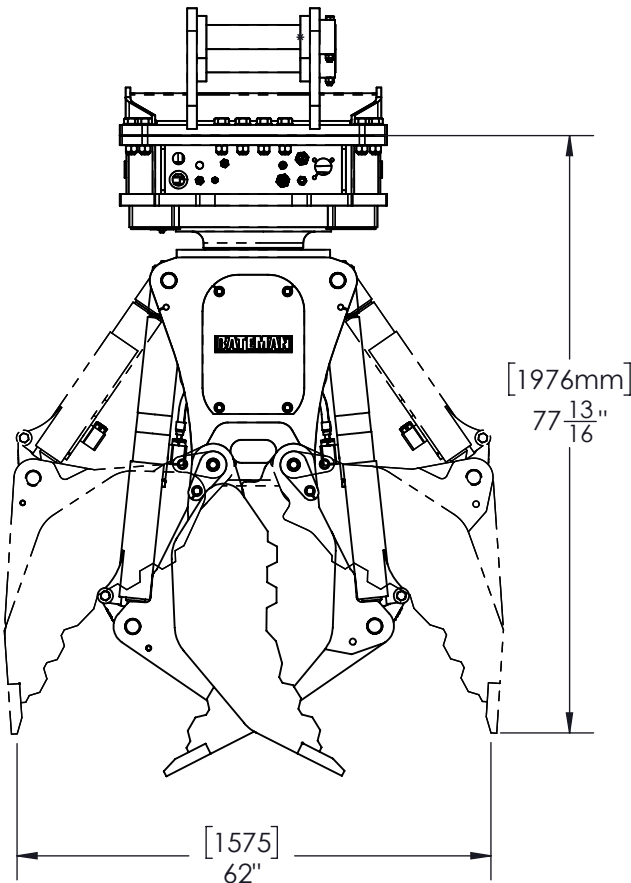


### 200 SERIES MANIPULATING ROTATOR

Rotation	Unlimited	
Lifting capacity	112,000 lb	50802 kg
Max pressure	3000 psi	207 bar
Max torque	175200 lb-in	19794.9 Nm
Rotator flow	30 gpm	114 L/min
Rotation speed	18 rpm	
Weight (rotator only)	770 lb	349 kg

### BWPG200-43-062

Open	62"	1574.8mm
Cylinder bore	3.5 "	89mm
Lock valve on cylinders	Excluded	
Cylinder max. pressure	5000 psi	345 bar
Weight (grapple only)	3000 lb	1361 kg
Crush Force	112000 lb	50802 kg
By pass distance	5.0 "	127mm

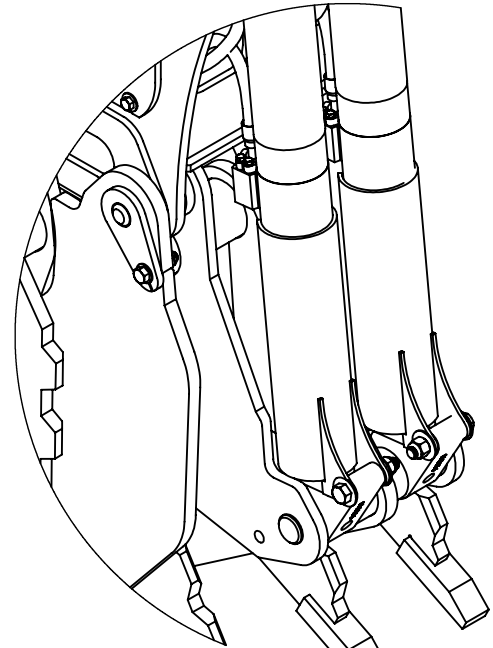
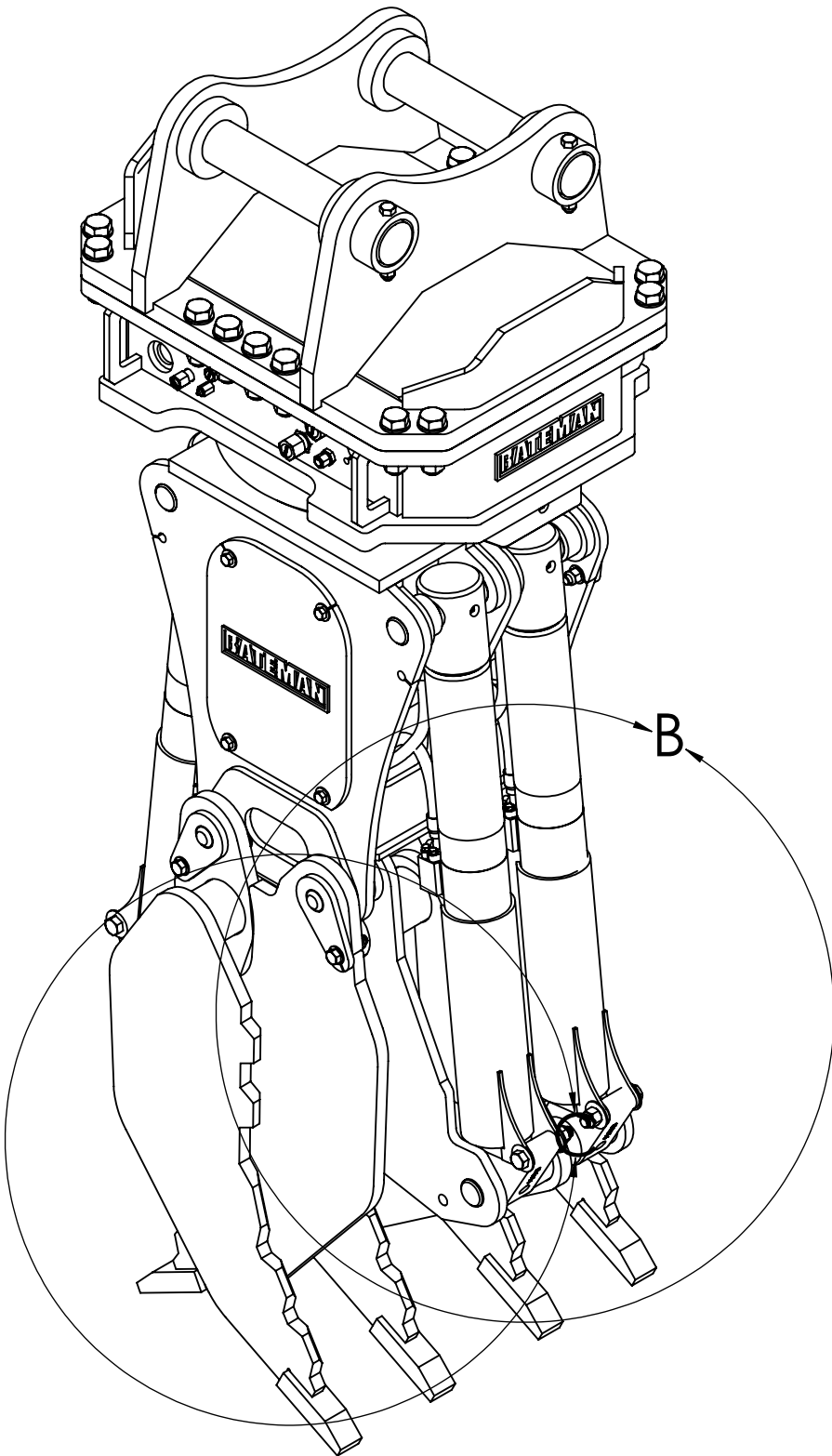


5 Winstar Road  
Oro-Medonte, ON L0L 2L0, Canada

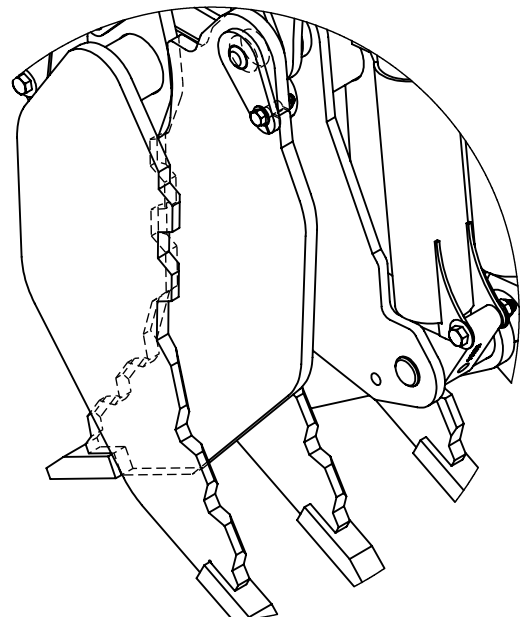
info@batemanmanufacturing.com  
batemanmanufacturing.com

705-487-5020





DETAIL B  
CYLINDER GAURDS  
SCALE 1 : 12



DETAIL C  
5" OF TINE BYPASS  
SCALE 1 : 12